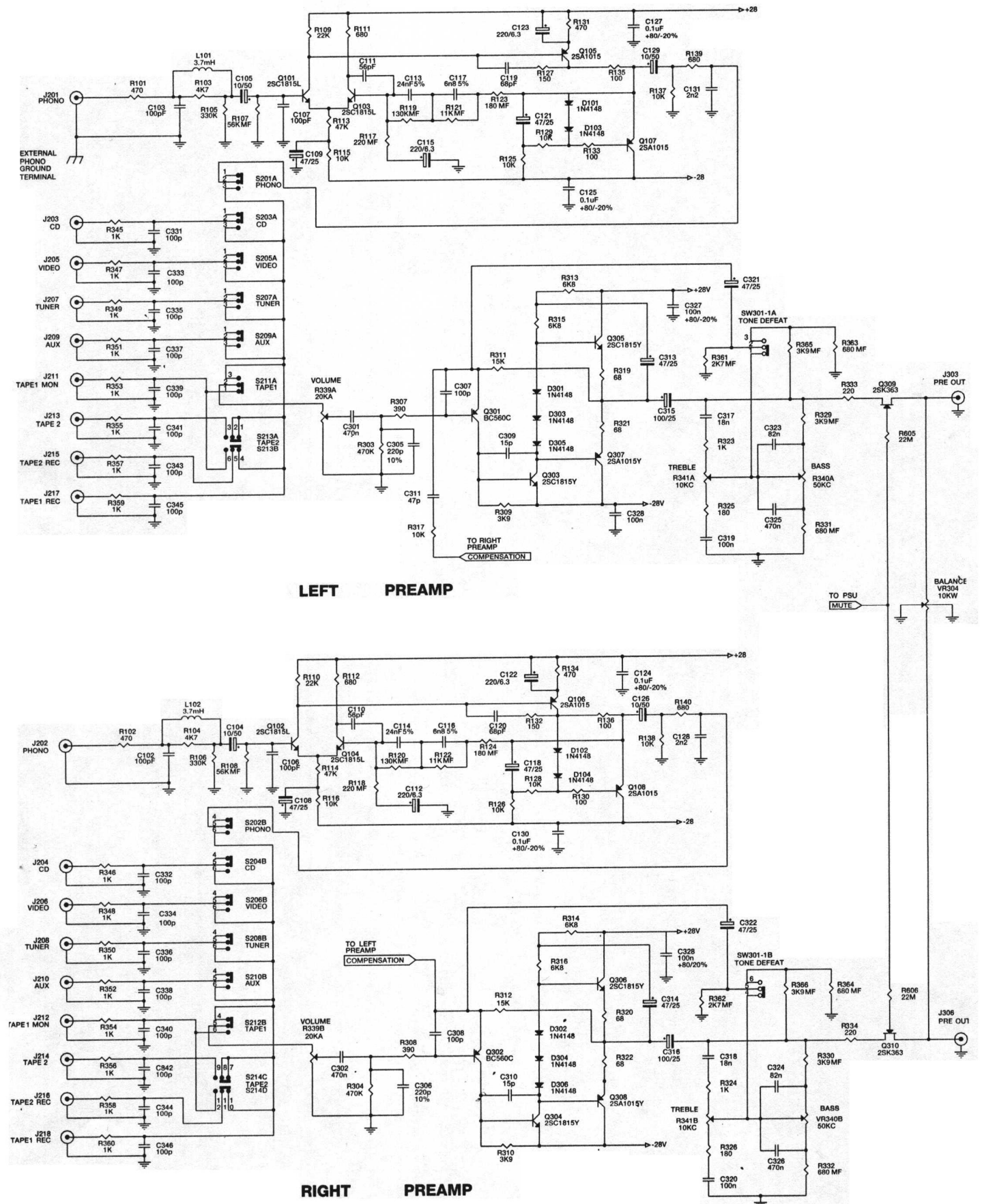




# SCHEMATIC DIAGRAM

## PREAMP

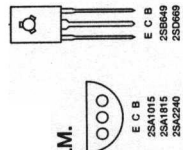
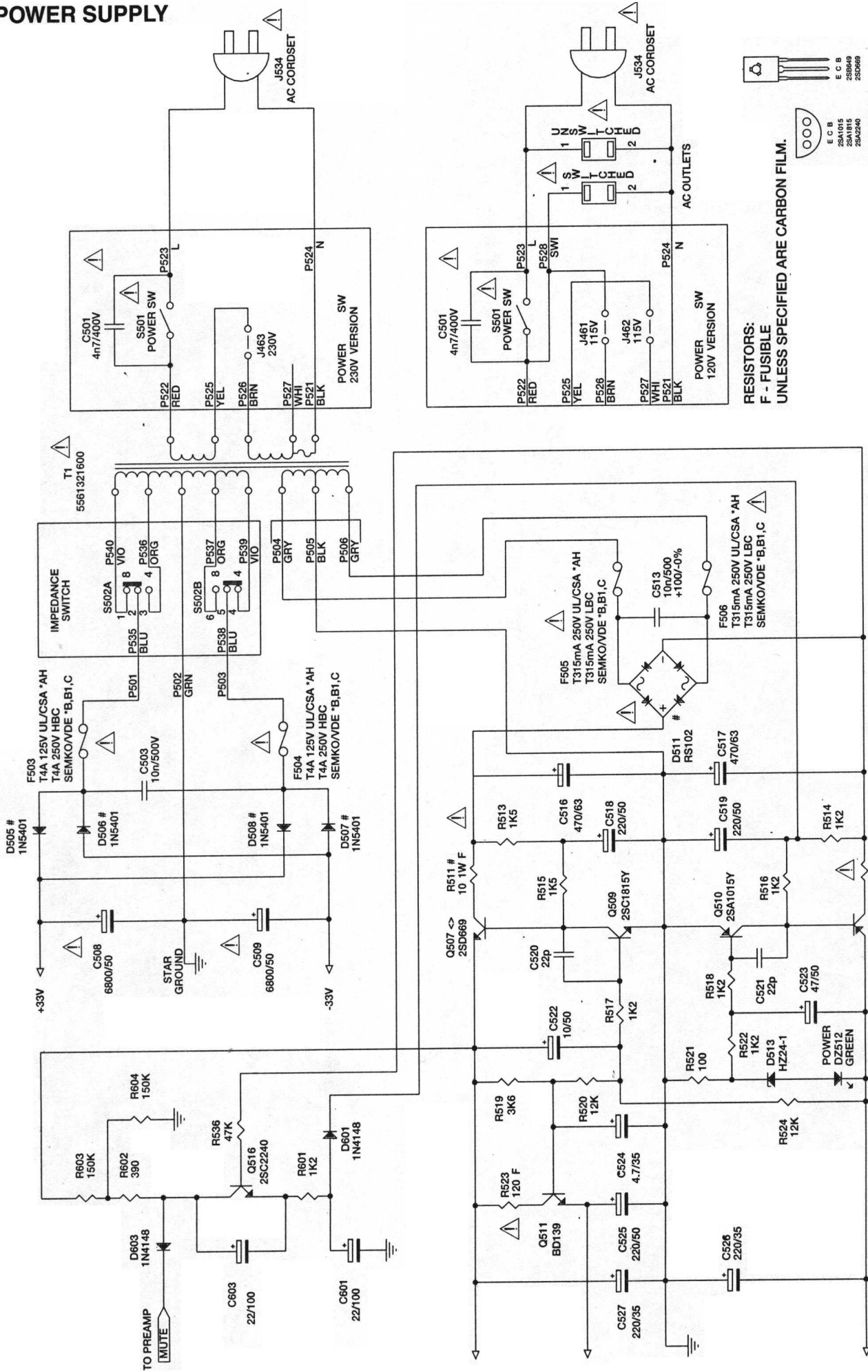


NOTE: 1. RESISTORS, UNLESS OTHERWISE SPECIFIED ARE 1/4W.  
 2. ALL CERAMIC CAPACITORS, UNLESS OTHERWISE SPECIFIED ARE 50V, 5%.

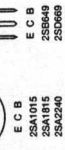
RESISTORS:  
 MF - METAL FILM  
 UNLESS SPECIFIED  
 ARE CARBON FILM.



# POWER SUPPLY



RESISTORS:  
F - FUSIBLE  
UNLESS SPECIFIED ARE CARBON FILM.



RESISTORS:  
F - FUSIBLE  
UNLESS SPECIFIED ARE CARBON FILM.

- NOTE: 1. RESISTORS, UNLESS OTHERWISE SPECIFIED ARE 1/4W.  
2. ALL CERAMIC CAPACITORS, UNLESS OTHERWISE SPECIFIED ARE 50V, 5%.  
3. COMPONENTS MARKED WITH "△" ARE SAFETY CRITICAL PARTS.  
4. COMPONENTS MARKED WITH "# " ARE ELEVATED FROM PCB.  
5. COMPONENTS MARKED WITH "<->" ARE MOUNTED ON SMALL HEATSINK.

## POWER SUPPLY